



EBARA



	Page
- SPECIFICATIONS	200
SELECTION CHART	201
PERFORMANCE CHART CDA 0.75	202
PERFORMANCE CHART CDA 1.00	203
PERFORMANCE CHART CDA 1.50	204
PERFORMANCE CHART CDA 2.00	205
PERFORMANCE CHART CDA 3.00	206
PERFORMANCE CHART CDA 4.00	207
PERFORMANCE CHART CDA 5.50	208
- CONSTRUCTIONS	300
SECTIONAL VIEW	300
MECHANICAL SEAL	301
DIAGRAM AND ELECTRIC CONNECTIONS	302
DIAGRAM AND ELECTRIC CONNECTIONS	303
- DIMENSIONS	400
PACKING AND WEIGHT	401
- TECHNICAL DATA	500

SPECIFICATIONS

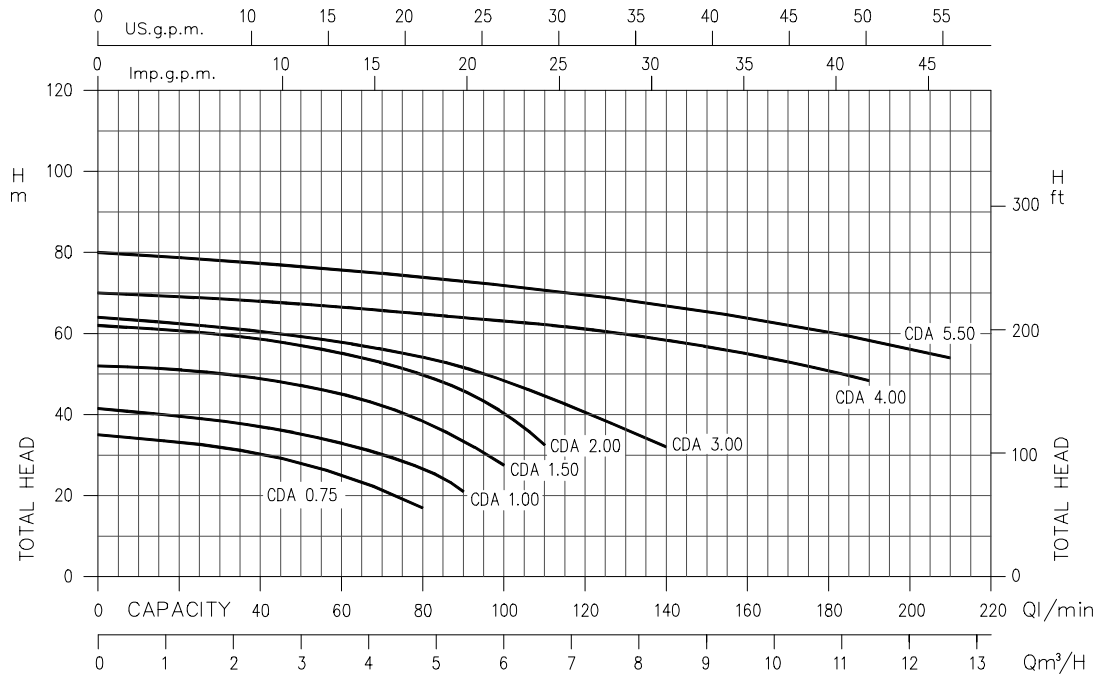
50Hz

PUMP		
Liquid	Type of liquid	Clean water
Handled	Max temperature [°C]	40 (CDA 0.75 - 1.00)
		90 (CDA 1.50-2.00-3.00-4.00-5.50)
Maximum working pressure	[MPa]	0.6 (CDA 0.75-1.00)
		1.0 (CDA 1.50-2.00-3.00-4.00-5.50)
Construction	Impeller	Twin closed type
	Shaft seal type	Mechanical seal
	Bearing	Sealed ball bearing
Pipe Connection	Suction	G1" (CDA 0.75-1.00) G1"¼ (CDA 1.50-2.00-3.00) G1"½ (CDA 4.00-5.50)
	Discharge	G1" (CDA 0.75-1.00-1.50-2.00-3.00) G1"¼ (CDA 4.00-5.50)
Material	Casing	Cast iron
	Impeller	Noryl® (CDA 0.75-1.00) Brass (CDA 1.50 - 2.00-3.00-4.00-5.50)
	Casing cover	AISI 304 (CDA 0.75-1.00) Cast iron (CDA 2.00-3.00-4.00-5.50)
	Shaft seal	Ceramic/Carbon/NBR
	Shaft	AISI 416 (CDA 0.75-1.00) AISI 303 (CDA 1.50-2.00-3.00) AISI 304 (CDA 4.00-5.50)
	Bracket	Aluminium (CDA 0.75-1.00) Cast iron (CDA 1.50-2.00-3.00-4.00-5.50)
Applicable standard of test		ISO 9906 – Annex A

MOTOR		
Type	Electric - TEFC	
	Single Phase	Three Phase
No. of Poles	2	
Synchronous speed [min ⁻¹]	3000	
Insulation Class	F	
Protection degree	IP 44	
Power rating	[kW]	0.55 ÷ 1.5
	[HP]	0.75 ÷ 2
Frequency [Hz]	50 Hz	50 Hz
Voltage [V]	230V ±10%	230/400 ±10%
Capacitor	Built in	-
Over load protection	Built in	Provided by the user
Casing material	Aluminium	
Base material/motor support	Cast iron / Plastic foot	
Dimensions of cable entry	PG11 - PG13.5 - G 1/2 (see dimensions page 400)	

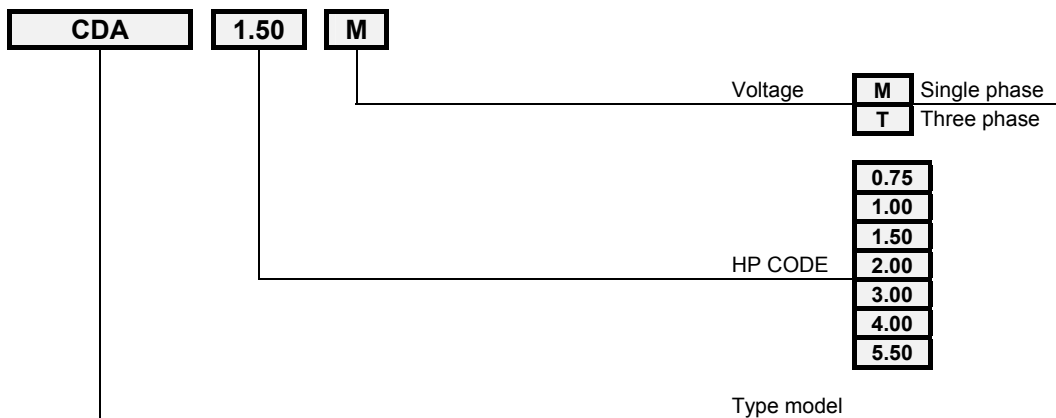
SELECTION CHART

50Hz

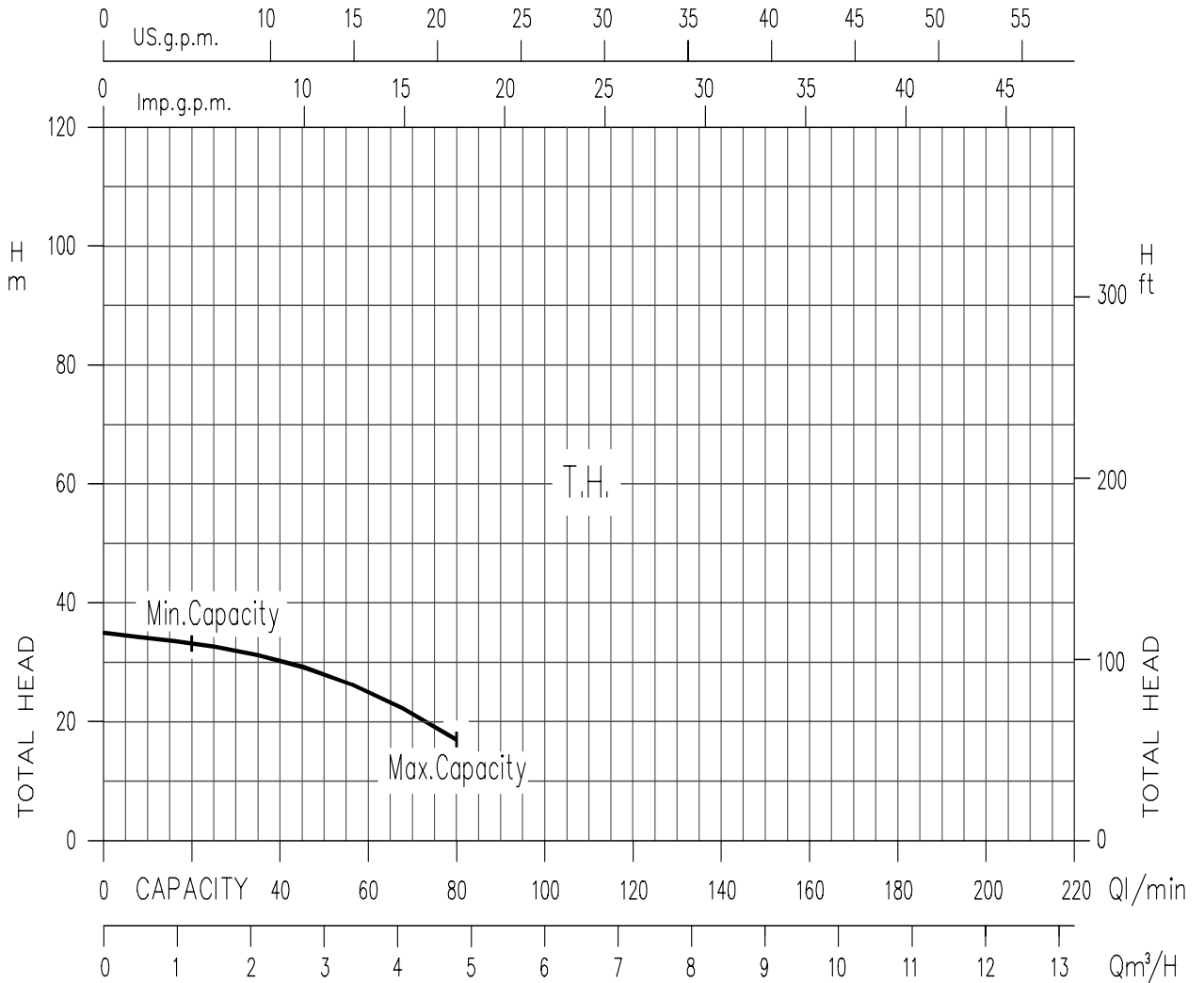


Type pumps		kW	HP	Q=Capacity											
Single Phase 230 V 50 Hz	Three Phase 230/400 V 50 Hz			l/min 20	40	50	80	90	100	110	140	170	190	210	
		m³/h 1.2 2.4 3 4.8 5.4 6.6 6.6 8.4 10.2 11.4 12.6													
		H=Total manometric head in meters													
CDA 0.75 M	CDA 0.75 T	0.55	0.75	33	30.2	27.9	17	-	-	-	-	-	-		
CDA 1.00 M	CDA 1.00 T	0.75	1	39.5	37	35.2	27	21	-	-	-	-	-		
CDA 1.50 M	CDA 1.50 T	1.1	1.5	50.8	48.8	47.1	38.4	33.4	27.5	-	-	-	-		
CDA 2.00 M	CDA 2.00 T	1.5	2	60.5	58.6	56.9	49.8	46.5	40.3	32.5	-	-	-		
-	CDA 3.00 T	2.2	3	-	60.5	59.3	54.1	51.6	48.4	44.6	32	-	-		
-	CDA 4.00 T	3	4	-	-	67	64.8	63.9	62.5	62	58	53.5	48		
-	CDA 5.50 T	4	5.5	-	-	76.5	73.9	72.9	71.8	70.5	66.8	62	58.3		

TYPE KEY:

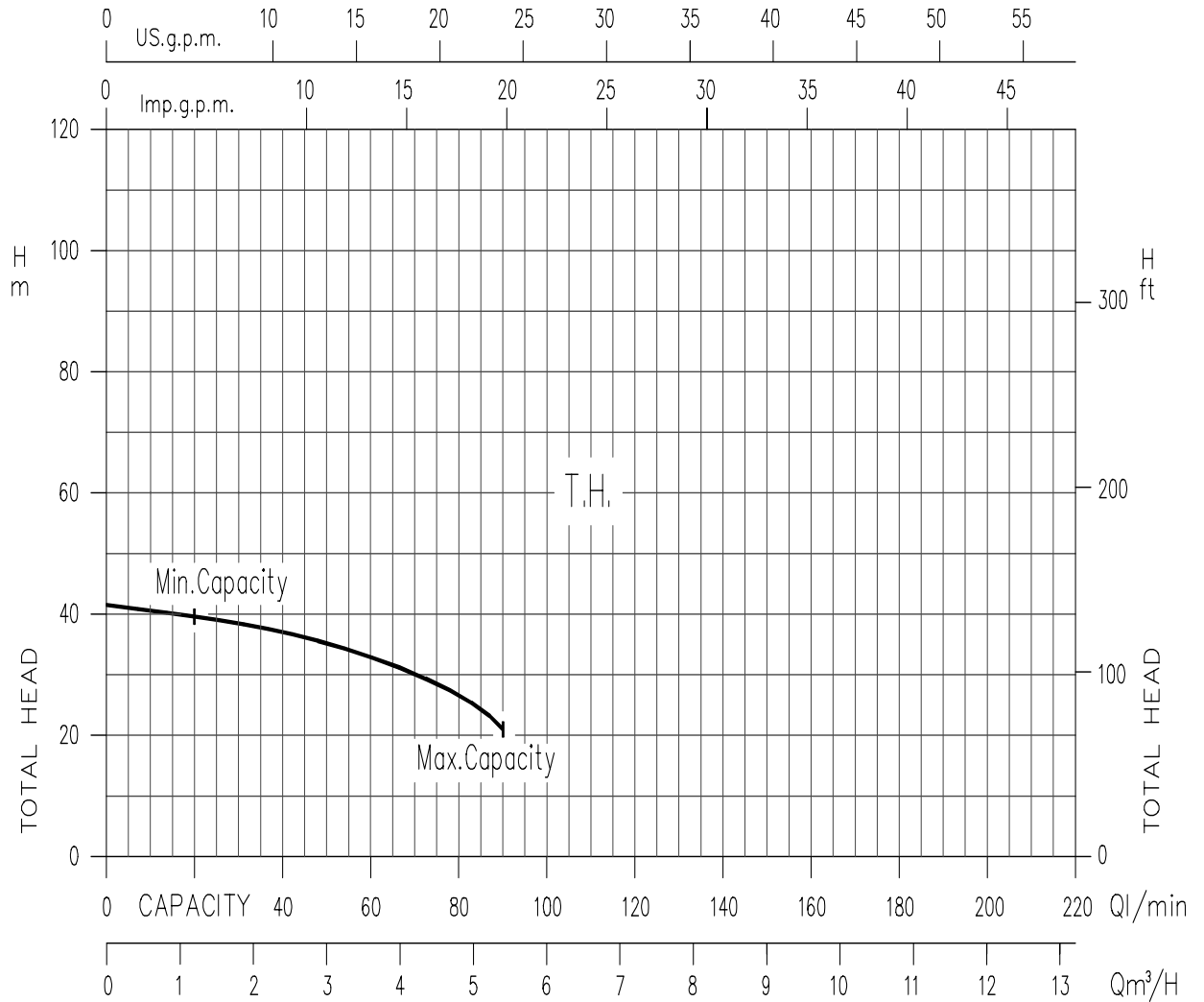


**CDA 0.75 (0.55 kW)
SYNCHRONOUS SPEED : 3000 min⁻¹**



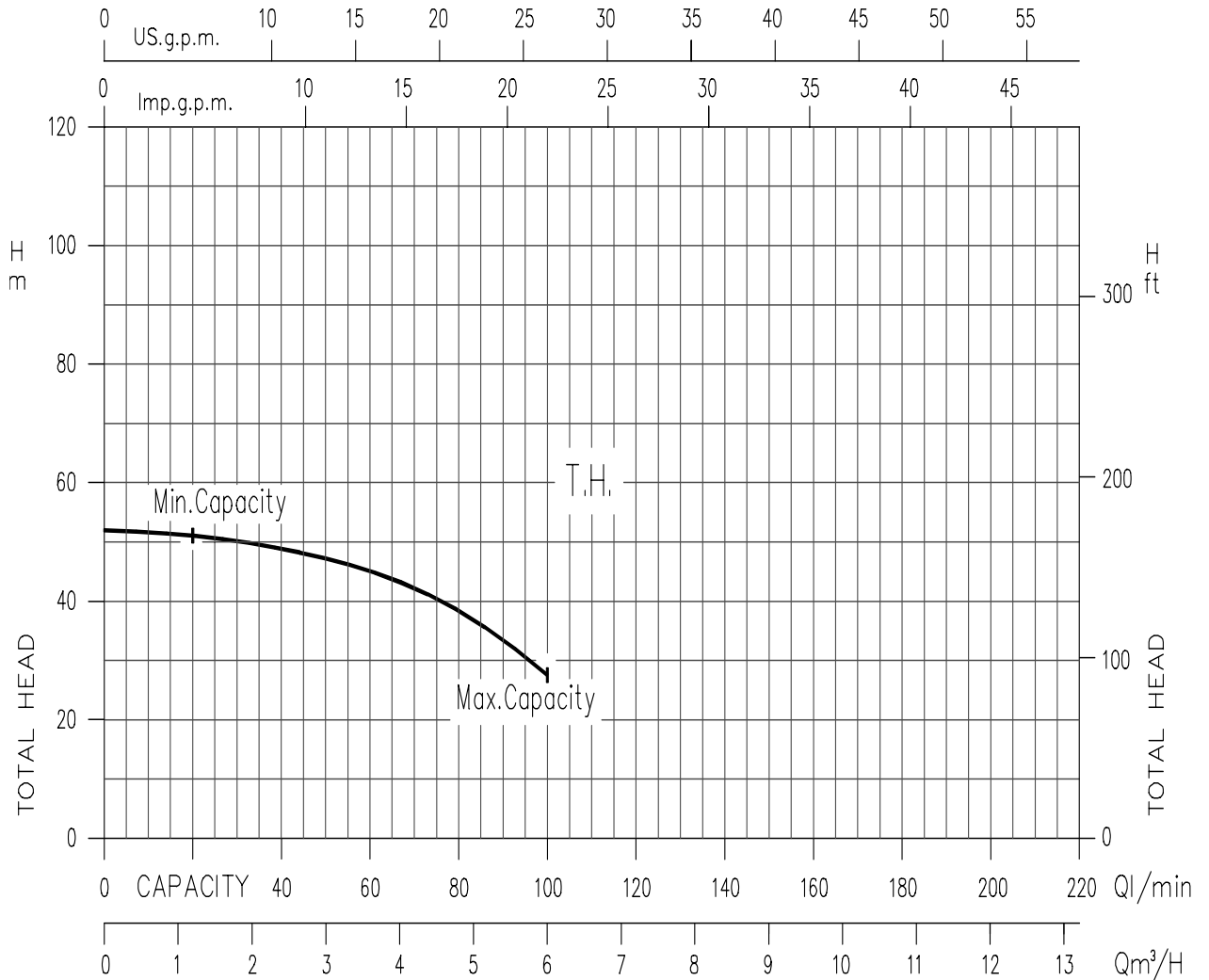
Temperature of water: 20°C
 Impeller diameter = 122/122 mm
 Applicable standard of test: ISO 9906 - Annex A

CDA 1.00 (0.75 kW)
SYNCHRONOUS SPEED : 3000 min⁻¹



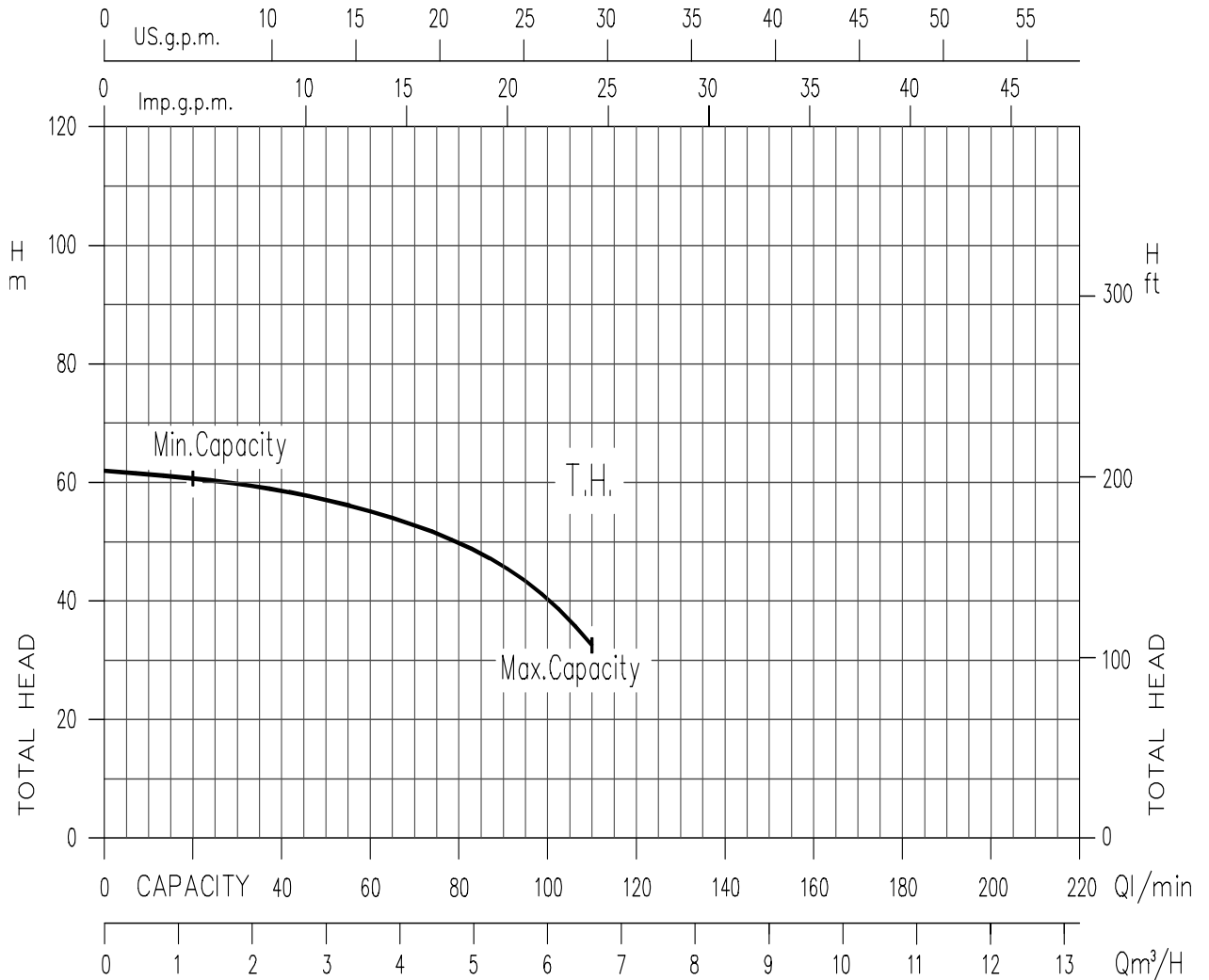
Temperature of water: 20°C
Impeller diameter = 130/130 mm
Applicable standard of test: ISO 9906 - Annex A

**CDA 1.50 (1.1 kW)
SYNCHRONOUS SPEED : 3000 min⁻¹**



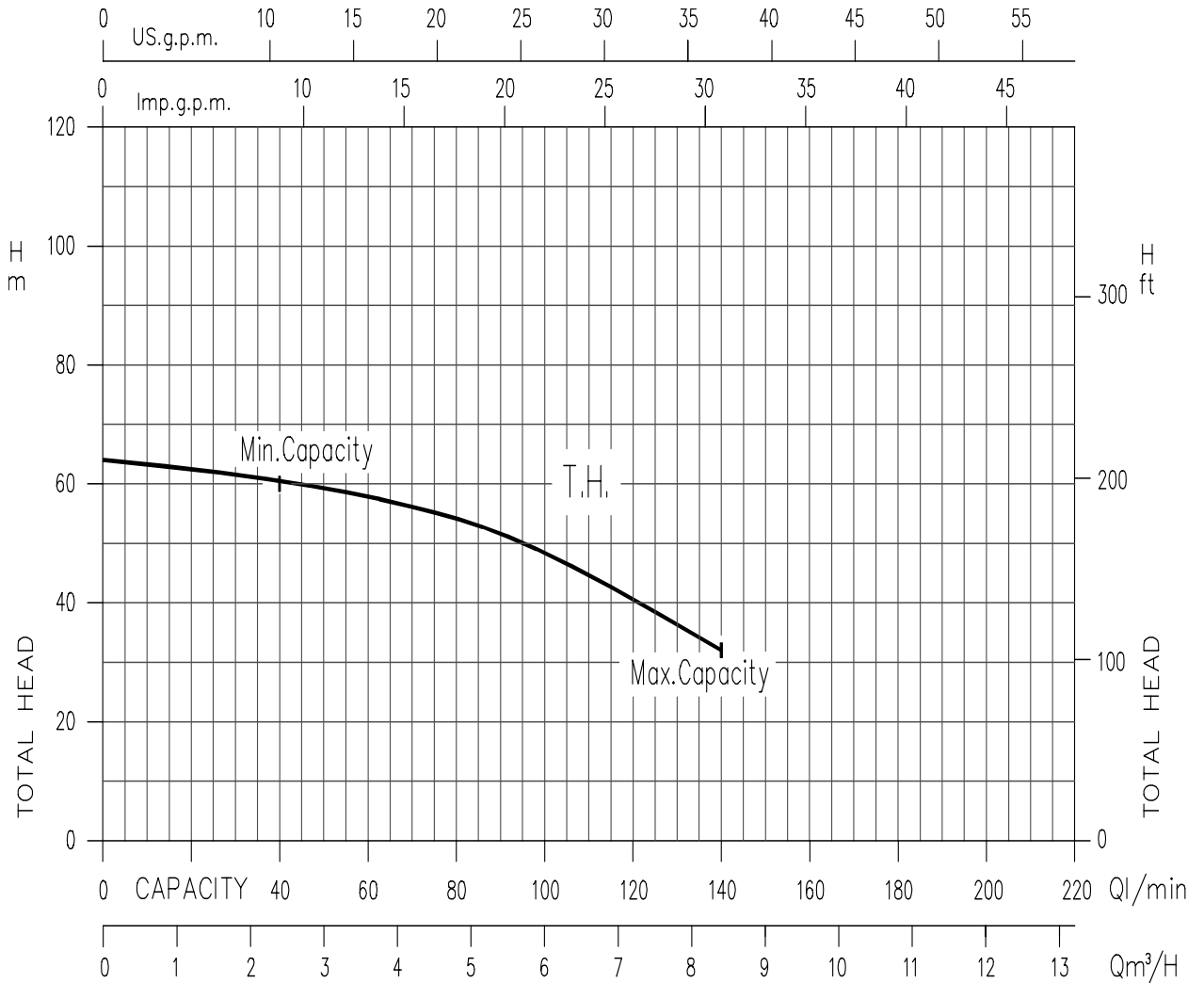
Temperature of water: 20°C
 Impeller diameter = 143/143 mm
 Applicable standard of test: ISO 9906 - Annex A

CDA 2.00 (1.5 kW)
 SYNCHRONOUS SPEED : 3000 min⁻¹



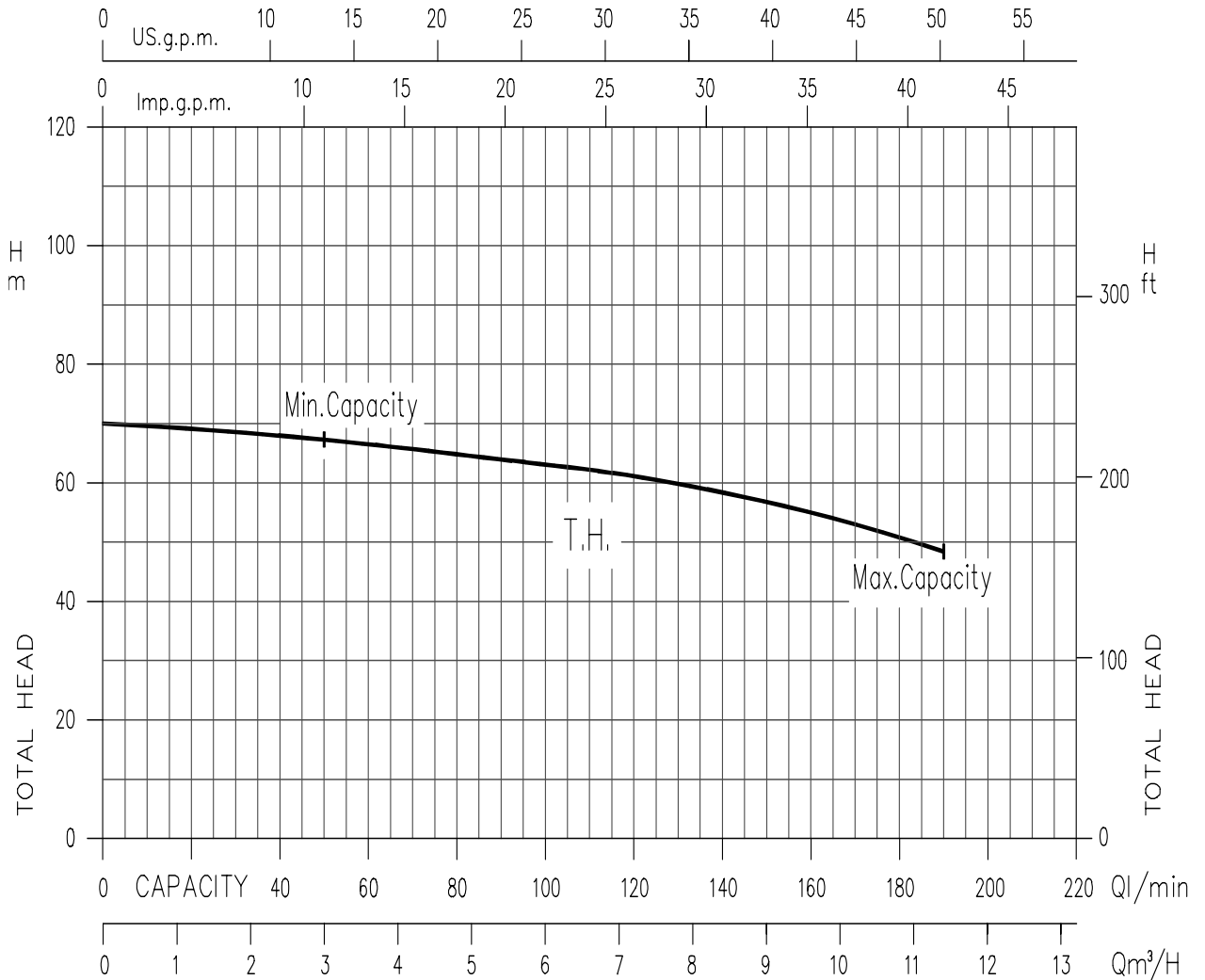
Temperature of water: 20°C
 Impeller diameter = 153/153 mm
 Applicable standard of test: ISO 9906 - Annex A

CDA 3.00 (2.2 kW)
SYNCHRONOUS SPEED : 3000 min⁻¹



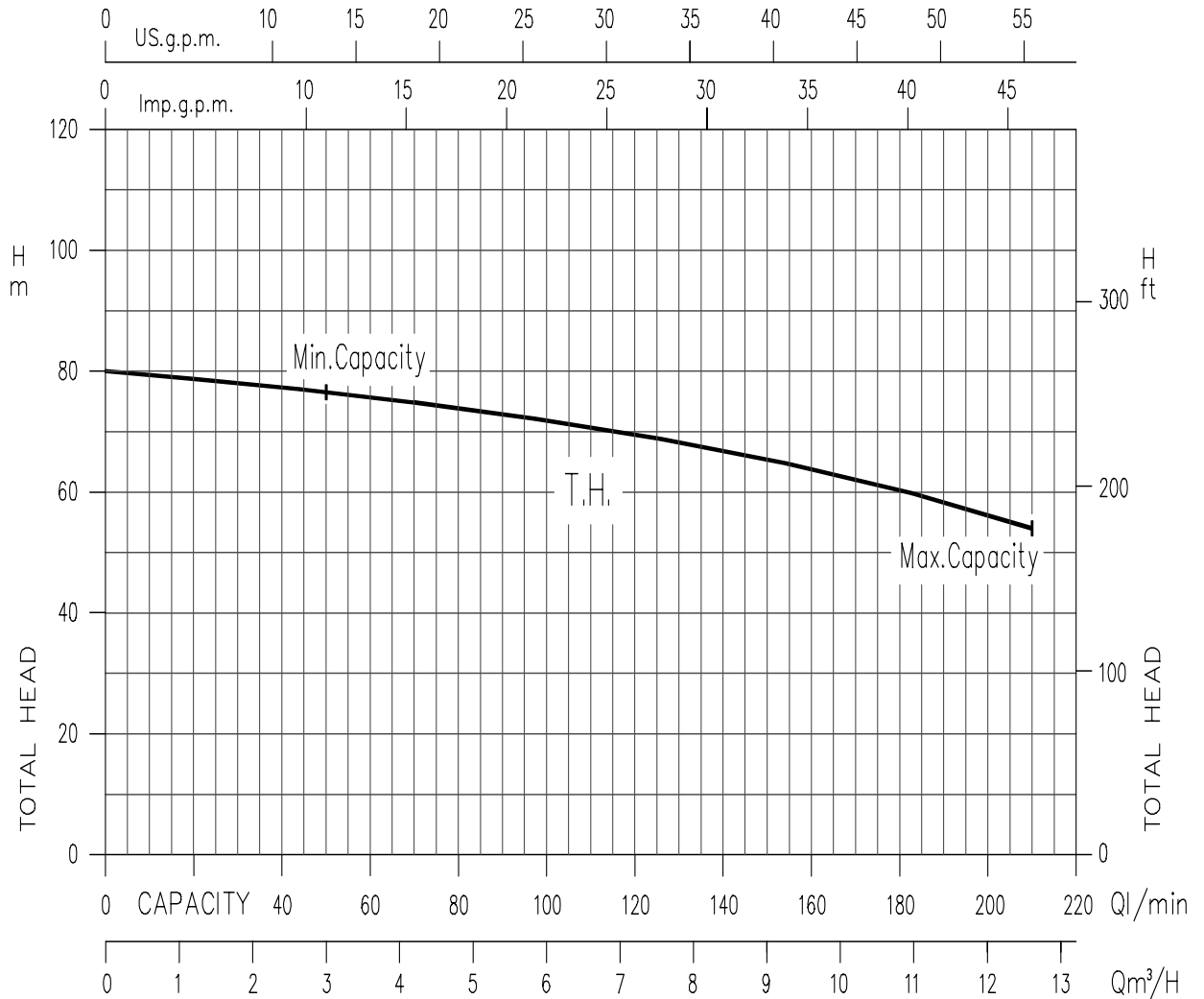
Temperature of water: 20°C
Impeller diameter = 156/156 mm
Applicable standard of test: ISO 9906 - Annex A

CDA 4.00 (3 kW)
 SYNCHRONOUS SPEED : 3000 min⁻¹



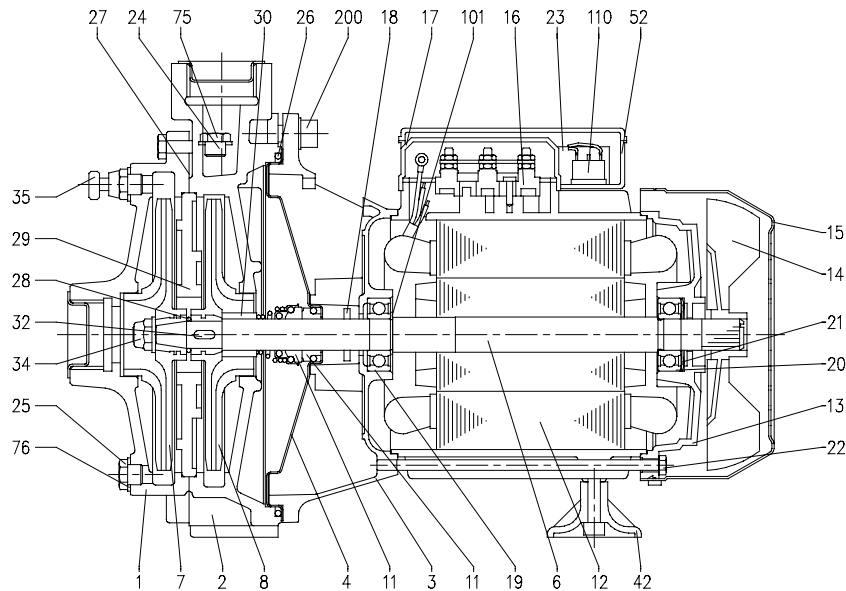
Temperature of water: 20°C
 Impeller diameter = 167/167 mm
 Applicable standard of test: ISO 9906 - Annex A

CDA 5.50 (4 kW)
SYNCHRONOUS SPEED : 3000 min⁻¹



Temperature of water: 20°C
 Impeller diameter = 179/179 mm
 Applicable standard of test: ISO 9906 - Annex A

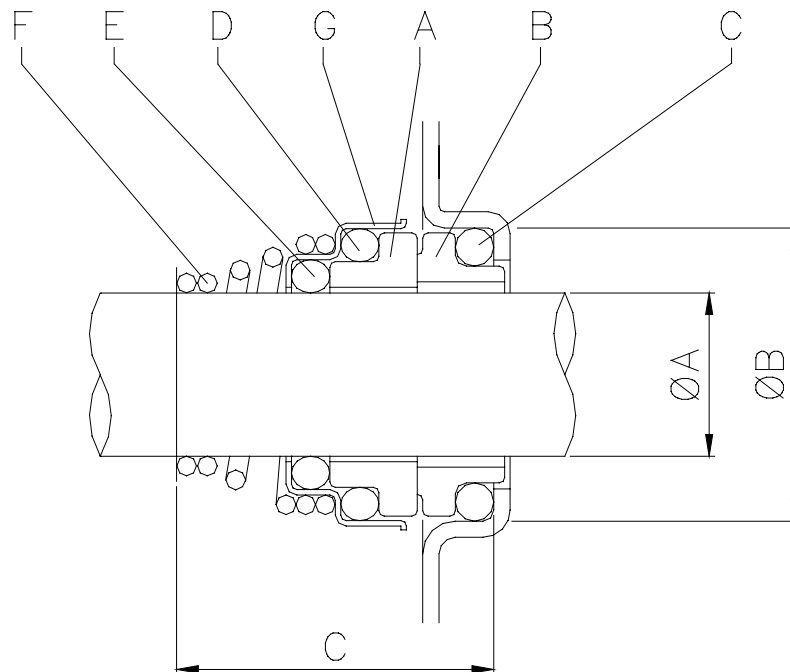
SECTIONAL VIEW



N°	PART NAME	MATERIAL	NO.FOR 1 UNIT	N°	PART NAME	MATERIAL	NO.FOR 1 UNIT
1	Casing	Cast iron	1	23	Capacitor [1]	-	1
2	Casing	Cast iron	1	24	Priming plug	Brass	1
3	Motor bracket	[8]	1	25	Drain plug	Brass	1
4	Casing cover	[9]	1	26	O-ring	NBR	1
6	Shaft with rotor	[6]	1	27	Gasket	Compression cellulose fibre	1
7	Impeller	[4]	1	28	O-ring	NBR	1
8	Impeller	[4]	1	29	Intermediate plate	Cast iron	1
11	Mechanical seal [7]	Carbon/Ceramic/NBR	1	30	Mechanical seal spacer	Brass	1
12	Motor frame with stator	-	1	32	Key	AISI 304	1
13	Motor cover	Aluminium	1	34	Impeller nut [3]	AISI 304	1
14	Fan	Polypropilene	1	35	Air breather valve	-	1
15	Fan cover	Fe P04 Zinked	1	42	Foot	PVC	1
16	Terminal box	-	1	52	Terminal box [1]	Polypropilene	1
17	Terminal box cover [2]	Aluminium	1	75	Washer	Aluminium	1
18	Splash ring	NBR	1	76	Washer	Aluminium	1
19	Pump side ball bearing	-	1	101	Seeger ring	AISI 420	1
20	Fan side ball bearing	-	1	110	Protector [5]	-	1
21	Adjusting ring	Steel C70	1	200	Screw	Stainless steel A2 UNI7323	4
22	Tie rod	Fe 42 Zinked	4	-	-	-	-

- [1] Only for single phase [2] Only for three phase [3] Only for version with impeller in Brass
 [4] Material : Noryl for version CDA 0.75 - CDA 1.00
 Brass for version CDA 1.50 - CDA 2.00 - CDA 3.00 - CDA 4.00 - CDA 5.50
 [5] Only for version single phase CDA 1.50 - CDA 2.00
 Material : AISI 416 for version CDA 0.75 - CDA 1.00
 AISI 303 (Part in contact with liquid) for version CDA 1.50 - CDA 2.00 - CDA 3.00
 AISI 304 (Part in contact with liquid) for version CDA 4.00 - CDA 5.50
 [7] See constructions mechanical seal page 301
 [8] Material : Aluminium for version CDA 0.75 - CDA 1.00
 Cast iron for version CDA 1.50 - CDA 2.00 - CDA 3.00 - CDA 4.00 - CDA 5.50
 [9] Material : AISI 304 for version CDA 0.75 - CDA 1.00
 Cast iron for version CDA 2.00 - 3.00 - CDA 4.00 - CDA 5.50

MECHANICAL SEAL



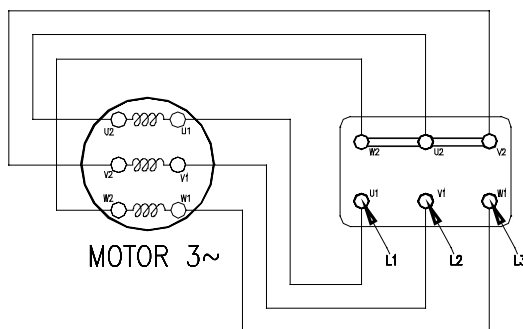
Single Phase	Three Phase	ØA	ØB	C
CDA 0.75 M	CDA 0.75 T	15	26	29
CDA 1.00 M	CDA 1.00 T	15	26	29
CDA 1.50 M	CDA 1.50 T	18	30.9	32
CDA 2.00 M	CDA 2.00 T	18	30.9	32
-	CDA 3.00 T	18	30.9	32
-	CDA 4.00 T	20	30.9	33
-	CDA 5.50 T	20	30.9	33

REF	PART NAME	MATERIAL product standard
		CDA
A	Rotary seal ring	ceramic
B	Stationary seal ring	carbon graphite
C	O Ring	NBR
D	O Ring	NBR
E	O Ring	NBR
F	Self driving spring	AISI 316
G	Frame	AISI 304

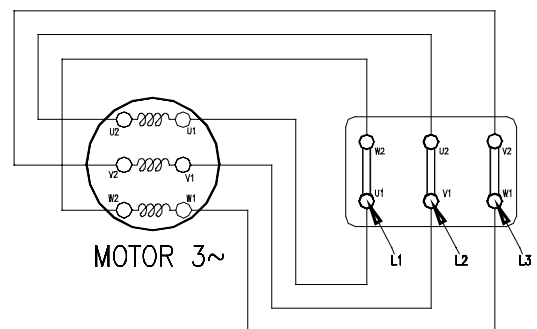
DIAGRAM AND ELECTRIC CONNECTIONS

THREE PHASE MOTOR

STAR CONNECTION

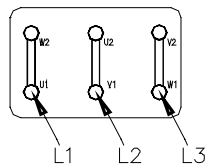


DELTA CONNECTION



FOR MOTOR 4 kW AND BELOW

DELTA CONNECTION 230 V



STAR CONNECTION 400 V

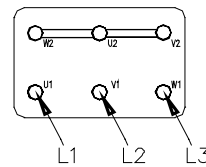
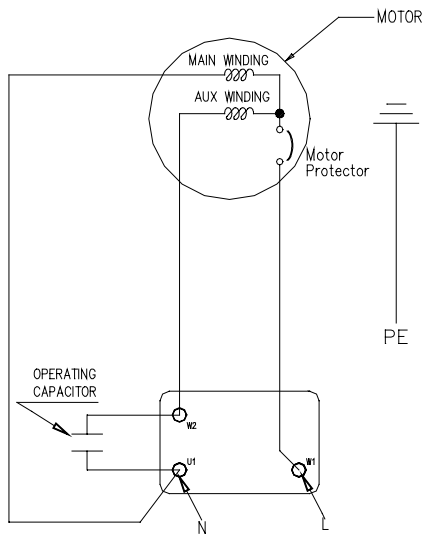


DIAGRAM AND ELECTRIC CONNECTIONS

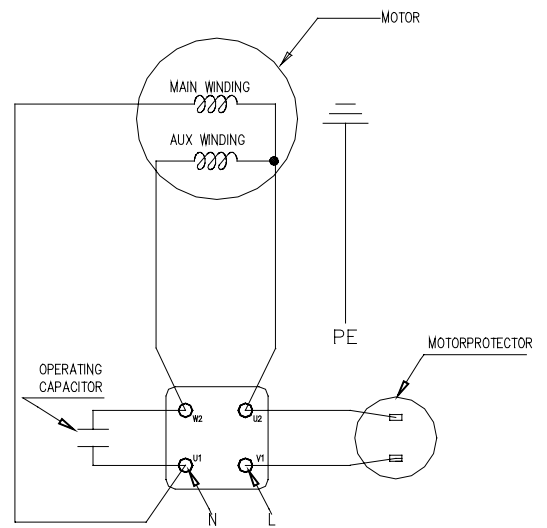
SINGLE PHASE MOTOR

FOR MOTORS WITH LOCKED ROTOR
CURRENT UP TO 25 [A]
(INTERNAL MOTORPROTECTOR)



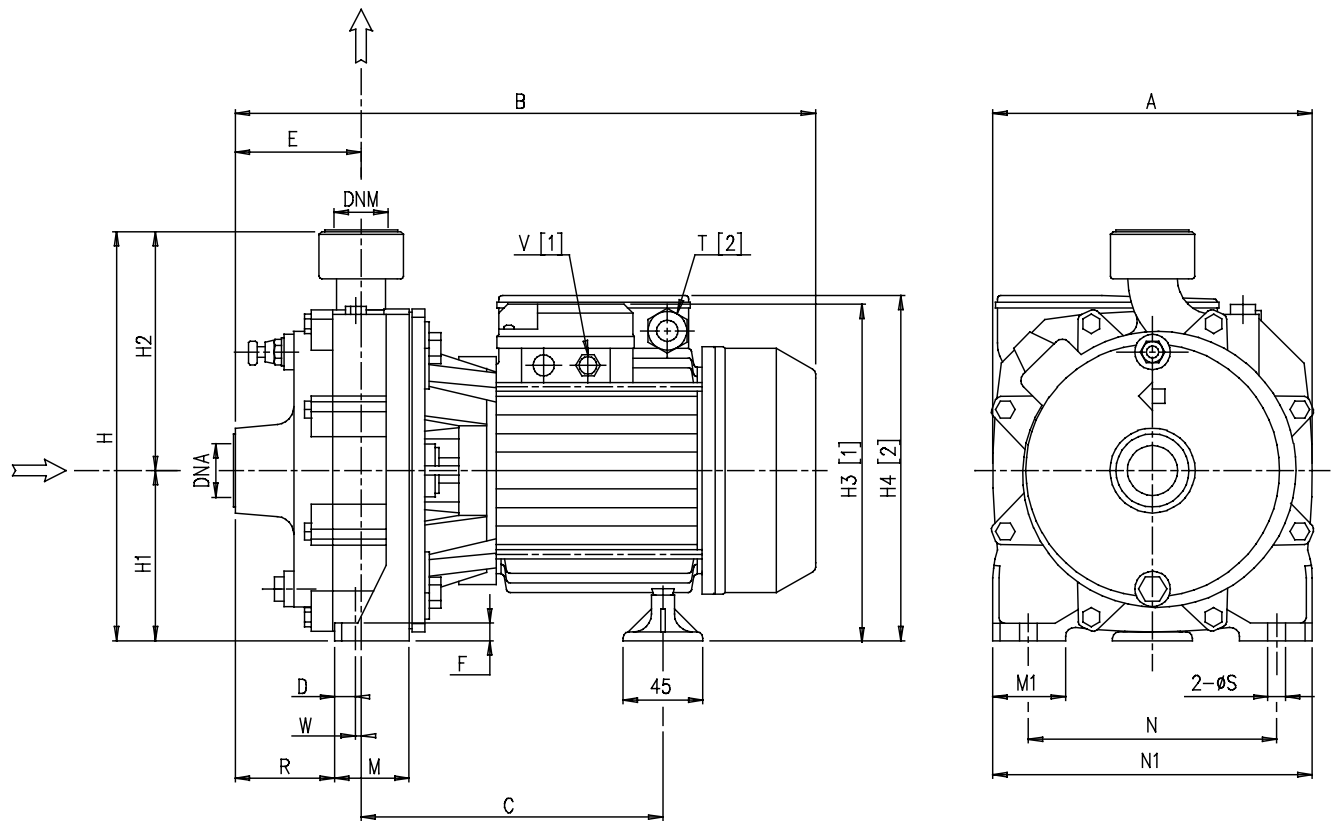
CDA 0.75 M
CDA 1.00 M

FOR MOTORS WITH LOCKED ROTOR
CURRENT OVER 25 [A]
(EXTERNAL MOTORPROTECTOR)



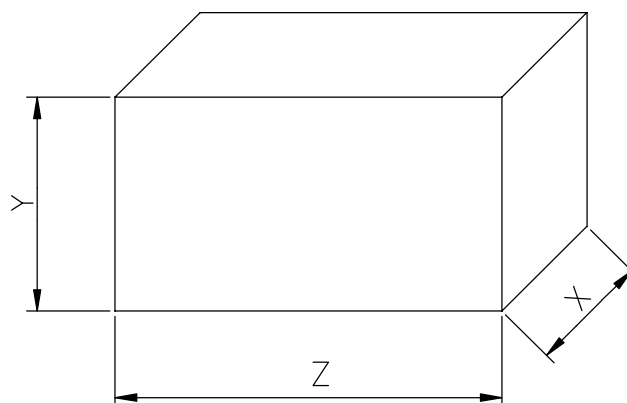
CDA 1.50 M
CDA 2.00 M

For model



Pump type	Dimensions mm																						
	A	B	C	D	E	F	H	H1	H2	H3	H4	M	M1	N	N1	R	T	V	W	S	DNA	DNM	
CDA 0.75M	183	336.3	179.8	8.3	73	9	227	97	130	-	198	42	40	140	180	57.5	PG11	-	6.8	9.5	G 1	G1	
CDA 0.75T	183	336.3	179.8	8.3	73	9	227	97	130	197.5	-	42	40	140	180	57.5	-	PG11	6.8	9.5	G 1	G1	
CDA 1.00M	183	336.3	179.8	8.3	73	9	227	97	130	-	198	42	40	140	180	57.5	PG11	-	6.8	9.5	G 1	G1	
CDA 1.00T	183	336.3	179.8	8.3	73	9	227	97	130	197.5	-	42	40	140	180	57.5	-	PG11	6.8	9.5	G 1	G1	
CDA 1.50M	209	394.8	218.3	8.3	86	9	265	110	155	-	242	48	40	155	195	65.5	PG13.5	-	12.3	9.5	G1 1/4	G1	
CDA 1.50T	194	394.8	218.3	8.3	86	9	265	110	155	224	-	48	40	155	195	65.5	-	PG11	12.3	9.5	G1 1/4	G1	
CDA 2.00M	209	410.8	218.3	8.3	86	9	265	110	155	-	242	48	40	155	195	65.5	PG13.5	-	12.3	9.5	G1 1/4	G1	
CDA 2.00T	194	394.8	218.3	8.3	86	9	265	110	155	224	-	48	40	155	195	65.5	-	PG11	12.3	9.5	G1 1/4	G1	
CDA 3.00T	194	410.8	218.3	8.3	86	9	265	110	155	224	-	48	40	155	195	65.5	-	PG11	12.3	9.5	G1 1/4	G1	
CDA 4.00T	228	467.3	225.3	12	95.5	12	308.5	133.5	175	264.5	-	57	50	180	230	71.5	-	G1 1/2	12.0	12	G1 1/2	G1 1/4	
CDA 5.50T	228	467.3	225.3	12	95.5	12	308.5	133.5	175	264.5	-	57	50	180	230	71.5	-	G1 1/2	12.0	12	G1 1/2	G1 1/4	

[1] = Only for three phase
 [2] = Only for single phase



Type pumps		PACKING [mm]			WEIGHT [kg]
Single phase	Three phase	X	Y	Z	
CDA 0.75 M	CDA 0.75 T	210	265	355	13.5
CDA 1.00 M	CDA 1.00 T	210	265	355	15
CDA 1.50 M	CDA 1.50 T	240	300	415	25
CDA 2.00 M	CDA 2.00 T	240	300	415	27
-	CDA 3.00 T	240	300	415	27
-	CDA 4.00 T	265	340	476	42.5
-	CDA 5.50 T	265	340	476	46.3